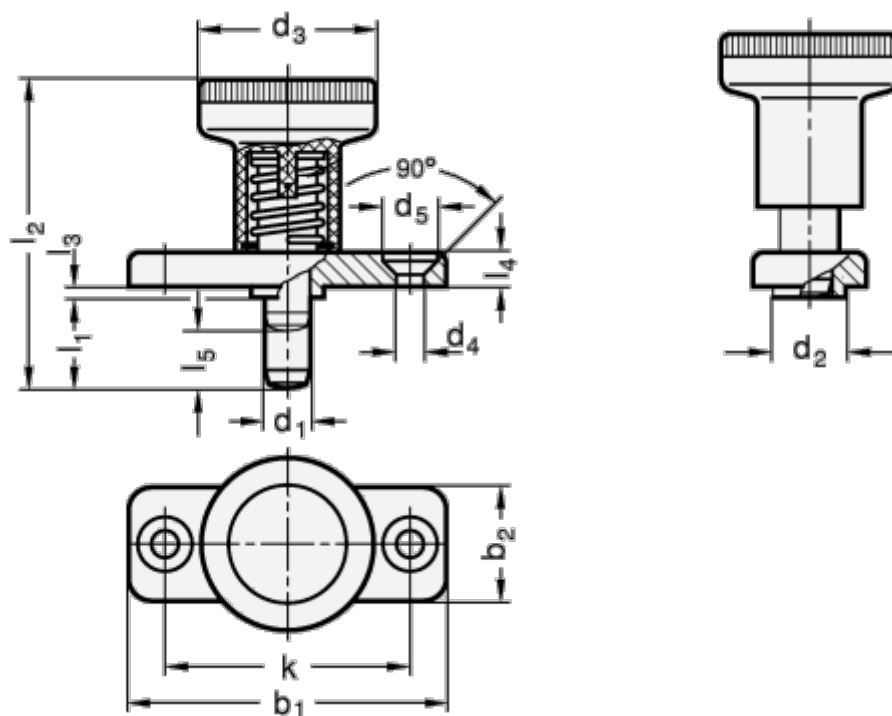


Article number: 206085614

Description: E+G  
Indexing plunger GN 608.5-6-14

## Measures



Axial load capacity N = 400	k	= 30
b1	l1	= 14
b2	l2	= 45
d1	l3	= 2.5
d2 -0.02/-0.1	l4	= 4.5
d3	l5	= 6
d4	Spring pressure N bottom	= 22
d5	Spring pressure N top	= 8.5